

Large capacity air pump

HP-100 / 120 / 150 / 200



Pressure type

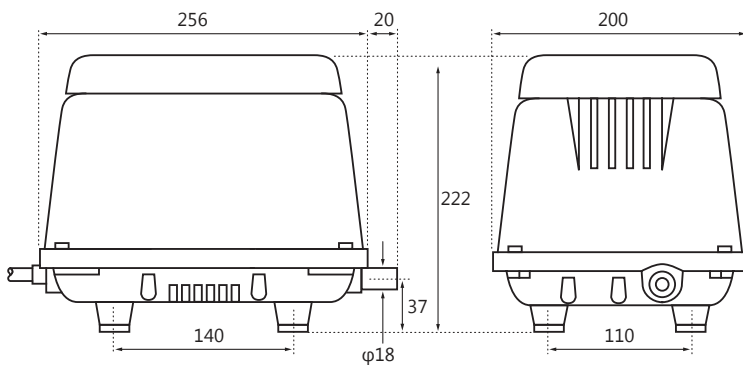
Outdoor (Rainproof) use

Applications

- Septic tank (biological contact aeration)
- Air injection for bubble bath
- Small capacity compressor
- Oxygen supply for fish breeding

Dimensions

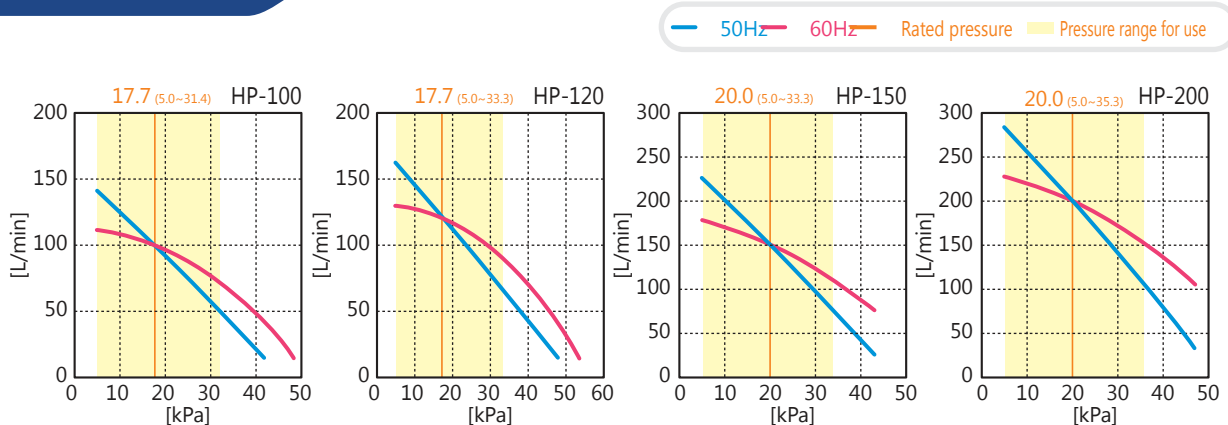
(unit : mm)



Specifications

	HP-100		HP-120		HP-150		HP-200	
Rated voltage [V]	AC100 / 120 / 230							
Power frequency [Hz]	50	60	50	60	50	60	50	60
Rated pressure [kPa]	17.7				20			
Airflow volume [L/min]	100		120		150		200	
Power consumption [W]	95	100	115	125	125	155	210	250
Sound level [dBA]	38		40		45		48	
Weight [kg]	8.5				9			

Performance Curve



* All characteristics values are only for reference, and are not guaranteed values.
* Note that the operating temperature for our pumps is 41°F(5°C) to 104°F(40°C).