

Heating



DIGIHEAT INLINE HEATERS

Digiheat in line heaters are versatile and easy to use. Program your desired water temperature and let Digiheat do the rest.

- Digital temperature management & self diagnosis
- Corrosion resistant heating element
- Streamline weather proof housing
- Available in sizes 2.4, 3.6, 4.8, 6.0, 18 & 24kW

Specifications

Code	DigiHeat Model	Volts	Current Draw	Minimum Circuit Size	Connection Size
281024 / 2810240	2.4kW	240 Volts (single phase)	10A	15A	40mm
281036 / 2810360	3.6kW	240 Volts (single phase)	15A	20A	40mm
281048 / 2810480	4.8kW	240 Volts (single phase)	20A	25A	40mm
281060 / 2810600	6.0kW	240 Volts (single phase)	25A	30A	40mm
281183 / 2811830	18.0kW	415 Volts (three phase)	25A	30A	50mm
281243 / 2812430	24.0kW	415 Volts (three phase)	35A	40A	50mm

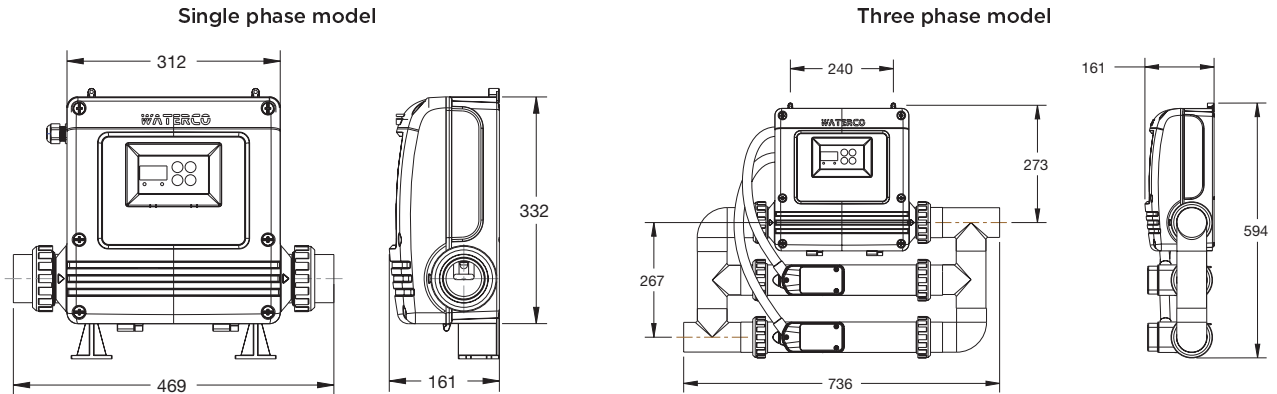
Complies with EN60335.260 and AS3136/NZS6232

Single Phase	Three Phase
Available in sizes 2.4, 3.6, 4.8 & 6.0kW for single phase 240 Volts	Available in sizes 18 & 24kW for 3 phase 415 Volts

Model kW	Time required to heat 1000 Ls by 1 deg C in minutes:	Time required to heat 1000 Ls by 5 deg C in minutes:
2.4kW	31	155
3.6kW	22	103
4.8kW	15	77
6kW	9	46
18kW	4	20
24kW	3	15

*The above is a only a guide and is dependent upon other factors such as heat loss and ambient conditions at the time of operation.

Dimensions



DIGIHEAT INLINE HEATERS - hard wired

Part Number	Product Description	Nominal Size	List Price	Price Incl. GST	
281024	Digiheat 2.4kW Inline Heater	to be discontinued	2.4kW	1,170.50	1,287.55
281036	Digiheat 3.6kW Inline Heater	to be discontinued	3.6kW	1,200.50	1,320.55
281048	Digiheat 4.8kW Inline Heater	to be discontinued	4.8kW	1,230.00	1,353.00
281060	Digiheat 6.0kW Inline Heater	to be discontinued	6.0kW	1,259.00	1,384.90
281183	Digiheat 18.0kW Inline Heater	to be discontinued	18.0kW	2,441.50	2,685.65
281243	Digiheat 24.0kW Inline Heater	to be discontinued	24.0kW	2,738.00	3,011.80
2810240	Digiheat 2.4kW Inline Heater - titanium element	available October	2.4kW	1,370.00	1,507.00
2810360	Digiheat 3.6kW Inline Heater - titanium element	available October	3.6kW	1,387.00	1,525.70
2810480	Digiheat 4.8kW Inline Heater - titanium element	available October	4.8kW	1,415.00	1,556.50
2810600	Digiheat 6.0kW Inline Heater - titanium element	available October	6.0kW	1,445.00	1,589.50
1830	Digiheat 18.0kW Inline Heater - titanium element	available October	18.0kW	3,121.00	3,433.10
2812430	Digiheat 24.0kW Inline Heater - titanium element	available October	24.0kW	3,399.00	3,738.90